

owner's manual



Quality. Uncompromised.

ROTEL[®]

RP-700

DIRECT-DRIVE
FULL-AUTOMATIC
STEREO TURNTABLE

ENGLISH 5

WARNING

TO PREVENT FIRE OR SHOCK HAZARD,
DO NOT EXPOSE THIS APPLIANCE TO
RAIN OR MOISTURE

Write your SERIAL NUMBER here.

The number is located near the name
plate on the rear panel.



ENGLISH

DIRECT-DRIVE FULL-AUTOMATIC STEREO TURNTABLE RP-700

INTRODUCTION

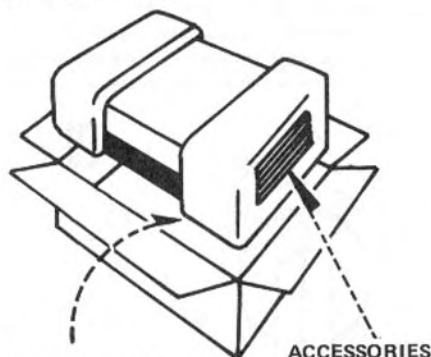
We at Rotel want to thank you for purchasing our audio product.

Rotel audio products are designed to use the latest electronic technology, and they incorporate our long experience as a specialist manufacturer of audio equipment. We are confident that you will find satisfaction in the high quality sound and top performance, and that you will find pleasure in the functional beauty achieved through human-engineering concept. Before starting operation, please read this instruction manual thoroughly and acquaint yourself with the proper mode of using the unit and all its connections.

We hope you will enjoy top-notch performance for many years to come.

UNPACKING

The attachments and accessories such as head shell and counterweight are stored inside the styrofoam moulding.



TURNTABLE PLETTER AND RUBBER MAT

POWER SUPPLY CONNECTION

For power the unit requires the normal household current (AC). You may simply plug the unit to a wall outlet, or to your amplifier's (or receiver's) convenience receptacle on the rear panel. If it is plugged to a convenience receptacle marked "SWITCHED," you cannot operate the unit when the power switch on the amplifier or receiver is set to OFF.

EXCLUSIVE NOTE FOR U.K.

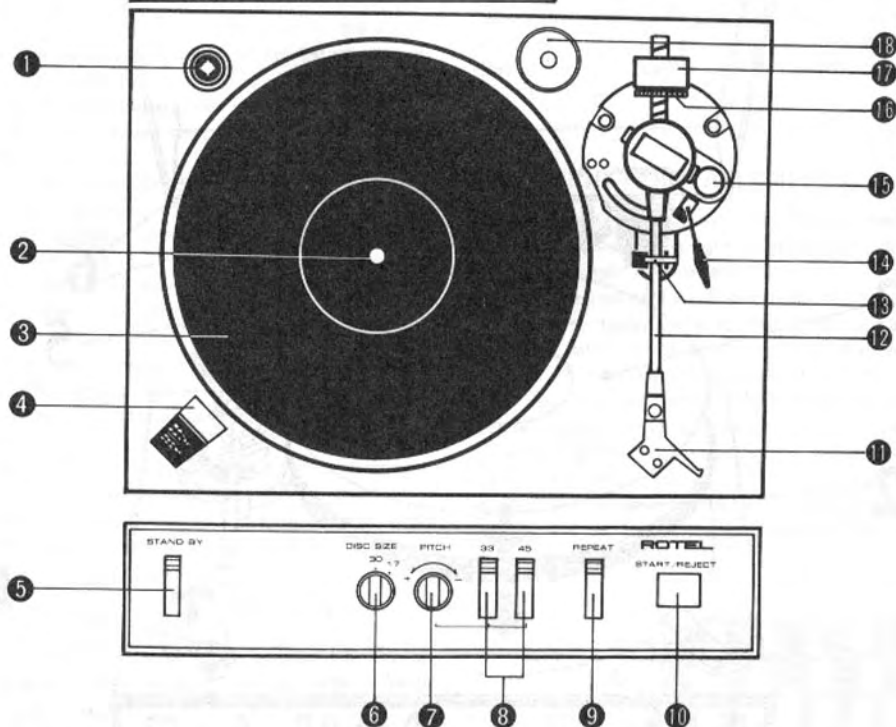
If your unit comes with a 2-core cable without a plug, make certain live and neutral leads are connected to the proper terminals. Check that the terminals are screwed down firmly and no loose strands of wire are present.

IMPORTANT: The wires in this mains lead are coloured in accordance with the following code:

BLUE: NEUTRAL
BROWN: LIVE

CAUTION

As long as the power cord is plugged into an AC outlet, power is supplied to the unit regardless of the setting position of the Standby Button.



PART NAMES

- | | | |
|--------------------------|--------------------------|-------------------------|
| (1) Headshell stand | (6) Record size selector | (13) Arm rest/clamp |
| (2) Turntable spindle | (7) Speed control knob | (14) Cueing stick |
| (3) Turntable/rubber mat | (8) Speed selector | (15) Antiskating device |
| (4) Stroboscope | (9) Repeat switch | (16) Stylus force gauge |
| (5) Standby switch | (10) Start/reject button | (17) Counterweight |
| | (11) Headshell | (18) EP adaptor |
| | (12) Tonearm | |

As the colours of the wires in the mains lead of this apparatus may not correspond with the coloured markings identifying the terminals in your plug proceed as follows. The wire which is coloured BLUE must be connected to the terminal which is marked with the letter N or coloured BLUE or BLACK. The wire which is coloured BROWN must be connected to the terminal which is marked with the letter L or coloured BROWN or RED.

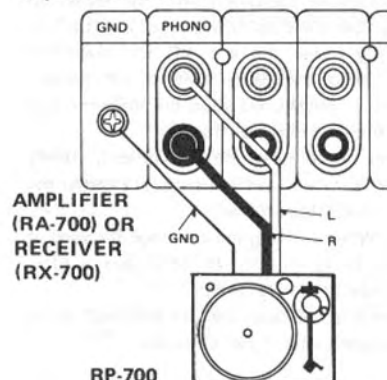
INSTALLATION

Do not place the unit near appliances that utilize motor or large transformers to prevent hum. Be sure to place the unit in a place where it is free from high temperature, humidity and not exposed to direct sunlight to prevent possible troubles.

Vibrations and unlevel installation will affect the performance of the turntable adversely and the stylus skip grooves.

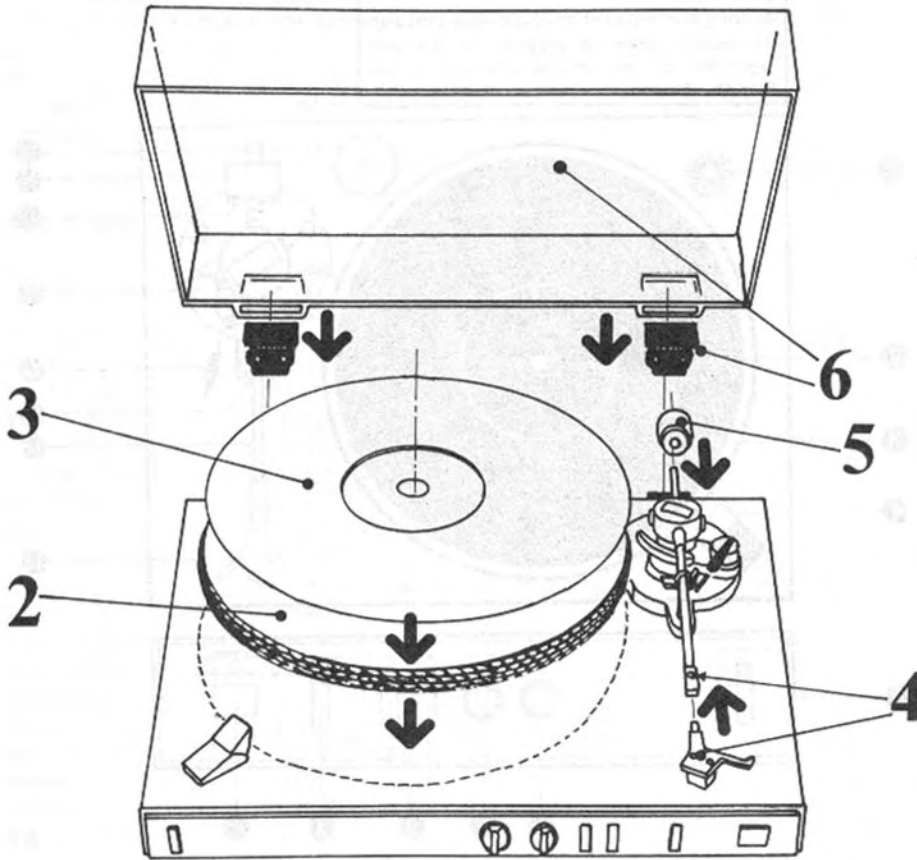
CONNECTION TO AMPLIFIER OR RECEIVER

The unit is provided with RCA cords for both channels, and a ground wire. The RCA cord with white plug should be connected to L (left channel) of PHONO terminals and the cord with red plug to R (right channel) of PHONO terminals on the amplifier or receiver. Connect the ground wire to GND terminals on the amplifier or receiver.



ASSEMBLY

1. Set the main body on surface.
2. Put on the platter.
3. Lay the rubber mat.
4. Install the headshell.
5. Install the counterweight.
6. Fix the dust cover.

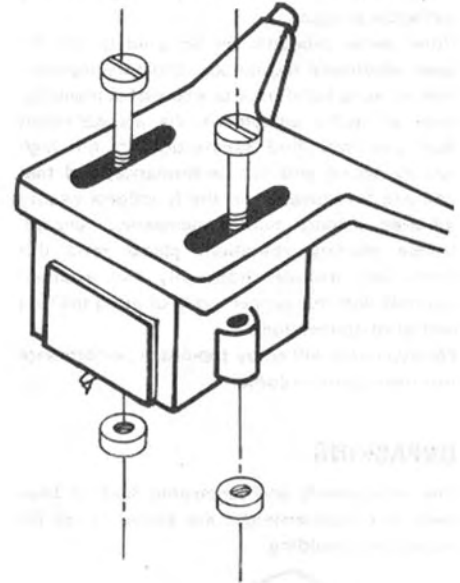


CARTRIDGE INSTALLATION

If your unit is not equipped with a cartridge, install a cartridge onto the head shell. The lead wires coming out of the head shell are color-coded as below. Make sure to carry out proper connection.

- Green: Right/-
- Blue: Left/-
- Red: Right/+
- White: Left/+

Fit the cartridge using nuts, bolts and washers.



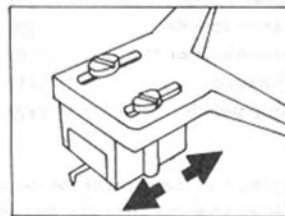
OVERHANG ADJUSTMENT

Overhang adjustment is the positioning of the stylus tip at the optimal distance from the fulcrum of the tonearm that enables the stylus tip to trace the record grooves properly. Poor adjustment of the overhang will render the stylus tip incapable of tracing the groove correctly.

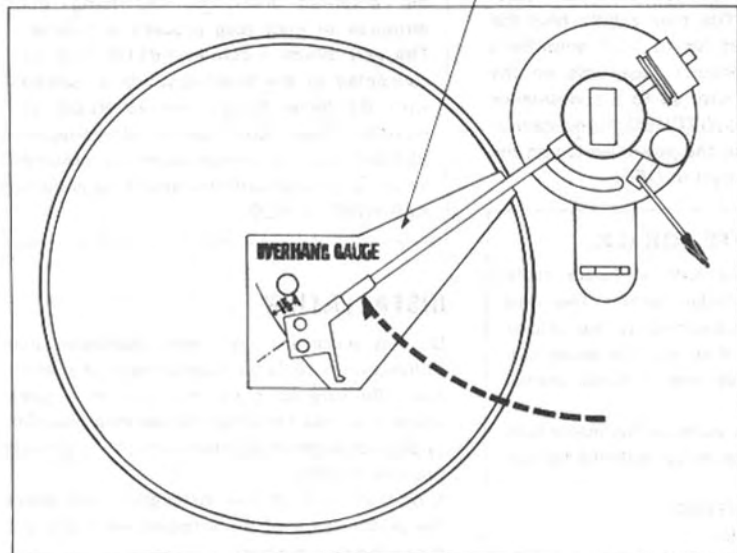
1. Loosen the two cartridge mounting screws.
2. Put the center spindle through the hole on the overhang gauge, printed side up.
3. Position the overhang gauge so that the arrow on the gauge points to the fulcrum of the tonearm.
4. Place the tonearm above the silhouette printed on the overhang gauge. Shift the cartridge forward or backward until the stylus tip is exactly above the point indicated by "tip".
5. Gently lower the arm lift and place the tonearm onto the gauge. Check for correct alignment. If misaligned, raise the tonearm, and readjust the cartridge position.
6. After completing the adjustment, slowly return the tonearm to the arm rest. Tighten the cartridge mounting screws.

Caution: When shifting the cartridge forward or backward, be careful not to let fingers or turntable surface touch stylus tip.

The overhang has been factory-adjusted to fit units equipped with Rotel cartridge.



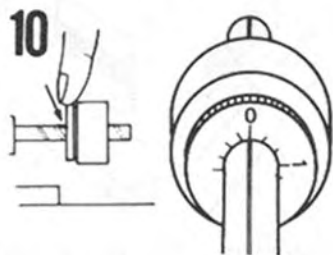
OVERHANG GAUGE



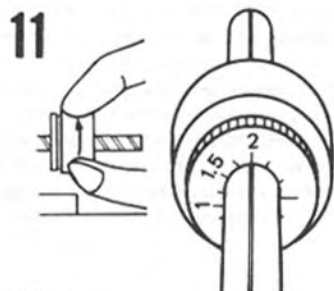
STYLUS FORCE ADJUSTMENT

Just the right amount of stylus force must be achieved to let the stylus trace the groove correctly. Improper setting of the stylus force may cause the stylus to skip grooves or create inferior or sound quality. Worse the wrong amount of force could damage record or stylus. Follow the procedures below to adjust for specified stylus force of your cartridge.

1. Place the assembled turntable unit on a level surface.
2. Plug the power cord into a wall outlet. Place a record on the platter.
3. Release the arm rest clamp, and press the Standby button.
4. Press Start/Reject button. The turntable begins to rotate and the tone arm moves to the record.
5. Pull up the cueing stick so that the tone arm floats over the record.
6. Manually return the tone arm to the arm rest, and pull down the cueing stick. Turn and set the antiskating knob to "0".
7. Press the Standby button again to release it, and the turntable stops.
8. Manually detach the tone arm from the arm rest, and perform the following adjustment, taking care not to drop the tone arm.
9. Move the counterweight forward or backward to balance the tone arm. A balanced tone arm should be level and parallel to the turntable base. Be careful not to let the stylus touch the platter or other objects.
10. Return the tone arm to the arm rest. Turn the stylus force gauge until point 0 falls on the reference line on the tone arm. Do not turn the counterweight at this time.



11. Turn the counterweight clockwise to set the reading on the gauge to the stylus force designated for your cartridge with reference to the line. Do not touch the gauge ring, as it will turn with the counterweight.



12. Turn and set the antiskating knob to the same value as the stylus force of your cartridge. Stylus force adjustment is now complete.

OPERATION

Automatic Play

1. Depress the Standby button.
 2. Place a record on the platter. Use the EP adaptor when playing records with a large center hole.
 3. Set the speed selector. Depress 33 button for 33-1/3 rpm, and 45 button for 45 rpm records.
 4. Set the record size selector to the appropriate position: position 30 for 30 cm records and position 17 for 17 cm records.
 5. Release the arm rest clamp.
 6. Check to see that the cueing stick is in the down position.
 7. Press the Start/Reject button. The turntable will begin to rotate while the tonearm automatically moves over the record and decends onto it.
 8. When the play is finished, the tonearm will automatically return to the arm rest and the turntable will stop. If you wish to stop the turntable midway through a record, press the Start/Reject button and the tonearm will return to the arm rest, after which the turntable will stop.
- If you wish to play a record repetitively, first press the Repeat button and then follow steps 1 through 7 above. To stop the play, press the Repeat button again to release it, and then follow step 8 above.

Manual Play

1. Place a record on the platter. Use the EP adaptor when playing records with a large center hole.
 2. Set the record size selector to the appropriate position.
 3. Set the speed selector by depressing the appropriate button.
 4. Release the arm rest clamp. Move the tone arm to the desired position over the record.
 5. Press the Standby button. The turntable will either begin to rotate or remain motionless, according to which phase of the automatic mechanism was finally entered in the previous operation. If the turntable does not start upon pressing the Standby button, press Start/Reject button, and the turntable will start.
 6. Pull down the cueing stick to lower the tone arm, and play starts.
 7. If you wish to stop the turntable midway through a record, press Start/Reject button. The tone arm automatically returns to the arm rest and the turntable stops. When the side is finished, the tone arm will again automatically return to the arm rest and turntable will stop.
- Note:** If the tone arm is returned manually to arm rest (using the cueing stick) midway through a side, the automatic mechanism will be suspended in "play," allowing the turntable to continue rotation. In that case, Start/Reject button must be pressed to stop the turntable. After returning the tone arm manually, if you release the Standby button to OFF without first pressing the Start/Reject button, the turntable will stop, but the automatic mechanism will not perform automatic lead-in the next time you operate the turntable. It will be necessary to return the turntable to normal state by pressing the Start/Reject button twice

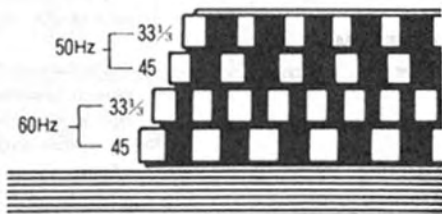
in secession in the next operation.

The unit is not faulty if the following occur:

- a. In manual playing mode, moving the tone arm over a record does not start turntable rotation.
 - b. When the Start/Reject button to start automatic play is pressed, the tone arm and the turntable do not move.
- In both cases, the tone arm was returned manually to the arm rest midway through a side; it was not moved by means of the Start/Reject button. Then the Standby button was released to OFF, interrupting normal operation of the automatic mechanism. The mechanism must be restored to normal state by pressing the Start/Reject button once for case (a), and twice for case (b).

ADJUSTING TURNTABLE SPEED

The turntable speed can be fine-adjusted. During play the strobe light projects light onto the stroboscopic bars on the platter rim. Turning the speed control knob will drift the stroboscopic bars: turning the control knob to "+" direction will move the bars in the same direction of the turntable rotation, and turning to "-" direction will move in the direction opposite to that of the turntable rotation. Proper turntable speed is obtained when the stroboscopic bars remain stationary. The four rows of stroboscopic bars correspond to respective turntable speed vs. frequency of household AC as shown in the figure.



MAINTENANCE

1. Keep the stylus tip clean of dust. Clean the stylus carefully using a soft brush, and also clean the record before commencing play.
2. The stylus tip is very sensitive. Be careful not to touch it with a finger or do not let it come in contact with solid matters.
3. The stylus is usually good for about 500 to 1,000 hours of continuous playing. A worn stylus will cause the record to be distorted and the record to be damaged. Be sure to use the correct replacement stylus matching to your cartridge.
4. Do not move the turntable when it is operating. Never try to stop the platter forcibly by hand while it is rotating.
5. When replacing cartridge or stylus, make sure the power cord is unplugged.
6. Lubrication is unnecessary. Consult your dealer if necessity arises..
7. Keep the unit always clean. Use a soft dry cloth to clean the cabinet and the dust cover.

Note: The automatic mechanism in the unit has been factory-adjusted before shipment, so you don't have to make adjustment before use.

After a long time of use of the unit, however, readjustment of the automatic lead-in position might be required.

To readjust, remove the round cap beside the tone arm base, and locate the adjusting screw inside. Using a screwdriver, turn the screw to the right to shift the auto-lead-in position toward the center of the platter, or turn to the left to shift it away from the center.



HOWLING AND HUM

Howling is usually caused by vibration of speakers which affects the sensitive cartridge. If such phenomenon occurs, relocate the turntable or speakers away from each other as much as possible. Hum is usually caused by the nearby appliances utilizing transformers or thermostat. Relocating the unit away from the noise sources will readily solve the problem.

The rear panel of the unit is provided with a socket for connecting the Rotel Remote Control Center RR-700, which allows wireless-remote-control of the unit.

SPECIFICATIONS

Motor	.DC servo motor (turntable) .AC motor (for automatic play)
Drive	.Direct-Drive system
Speeds	.33-1/3 and 45 rpm
Wow and Flutter	.0.03%
Signal-to-Noise Ratio	.63dB (IEC-B) .73dB (DIN-B)
Platter	.Aluminum diecast (310mm diameter with strobe rim)

TONARM

Type	.Static-balanced straight pipe arm, with plug-in headshell, oil-damped cueing device, direct-readout stylus gauge counterweight, antiskating device.
------	--

Overhang	.15mm
Tracking Error	.+2.5° to -1.5°
Suitable Cartridge Weight	.2.5 to 11g
Suitable Stylus Pressure	.0.75 to 3g

MISCELLANEOUS

Power Requirement	.100V/120V (50-60Hz) or 220/240V (50-60Hz) (depending on destinations)
Power Consumption	.10 watts
Dimensions (overall)	.436 (W) x 138 (H) x 370 (D) mm .17-5/32" x 5-7/16" x 14-9/16"
Weight (net)	.6.5kg/14.3 lbs.

CARTRIDGE: AUDIO TECHNICA AT-51 (OPTIONAL)

Type	.Dual Moving Magnet type
Frequency Response	.20 to 20,000Hz
Channel Separation	.30dB at 1 kHz
Load Impedance	.47 kohms
Dynamic Compliance	.10 x 10 ⁻⁶ cm/dyne
Stylus Force Range	.1.2 to 1.8g
Suitable Stylus Force	.1.5g
Stylus Tip	.0.6 mil diamond
Cartridge Weight	.2.5g
Replacement Stylus Tip	.ATN-51

• Specifications subject to change for improvement without prior notice.